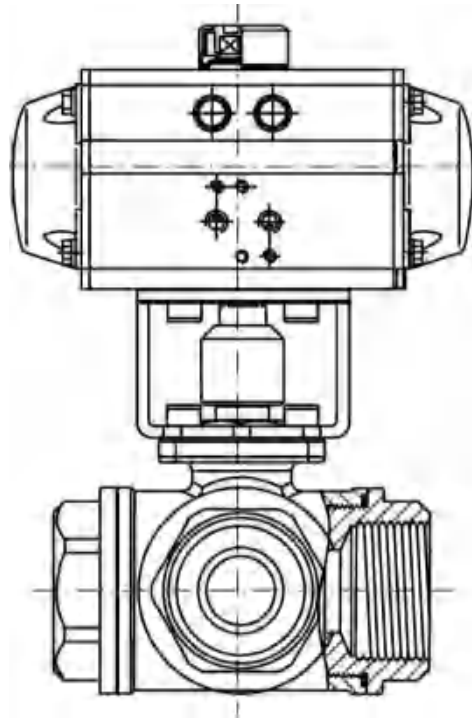


STANDARD SPECIFICATION

CHUANHU

气动三通内螺纹球阀

**Pneumatic three-way
Internal thread ball valve**



上海川沪阀门有限公司

ShangHai Chuanhu Valve CO.,LTD

概述

三通球阀分“T”型三通球阀和“L”型三通球阀，具有结构紧凑、外型美观、密封性能好，它能实现对管道中介质流向的切换，也能使相互垂直的两个通道连通或关闭。

GENERAL

Three way ball valve include two kinds of “T” type ball and “L” type ball valve, has the advantages of compact structure, beautiful appearance, good sealing performance, it can realize the switch the flow in pipe, also can make the two mutually perpendicular communicated or closed channel.

标准规格 STANDARD SPECIFICATION

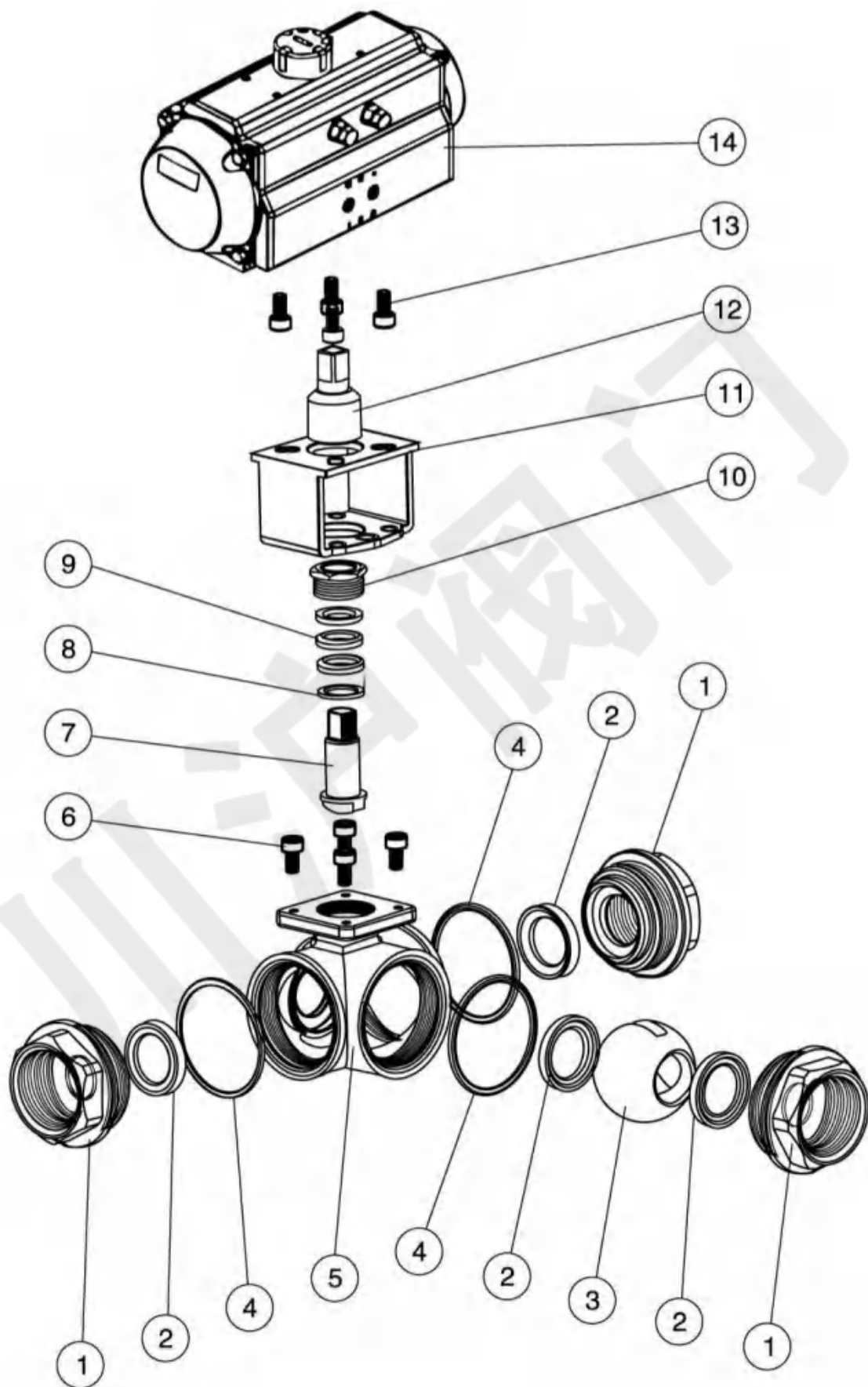
公称通径 Body size	DN15~300
公称压力 Body ratings	PN1.6,4.0,6.4,10.0; ANSI Class 150,300,600; JIS 10K,30K,40K
尺寸标准 Dimension standard	国标、美标、日标 GB, American standard, Japanese standard
阀体材质 Body material	碳钢 Carbon steel(WCB), 不锈钢 Stainless steel(CF8, CF8M, CF3, CF3M)
阀座材质 Seat material	聚四氟乙烯 (F)、对位聚苯 (PPL)、尼龙 (N)、硬质合金 (H、Y) PTFE, PPL, N, H, Y
作用方式 Mode of action	双作用、单作用 (弹簧复位) Double-acting/Single-acting type(spring reposition)
控制方式 Control	开关型、调节型 Switch type, Adjust type
附件选择 Selection of Accessories	电磁阀、定位器、限位开关、气源三联件、手动机构 Solenoid valve, Locator, Limit switch, F.R.L. COMBINATION UNIT, Manual Device

设计依据 Design Basis	GB 标准 Standard	ANSI 标准 Standard
设计标准 Design standard	G B/12237	ANSI B16.34
连接法兰尺寸 Connecting Flange Size	GB/9113. JB/T79	ANSI B16.5
试验和检验 Test & inspection	JB/T9092	API 598

※注：系列球阀结构长度及连接法兰尺寸可根据用户要求设计制造。

Note: The structural length and connecting flange size of ball valve series can be designed and manufactured as per users' requirements.

结构图和零件材质表 STRUCTURE AND MAIN MATERIAL TABLE



序号 No.	零件名称 Name of parts	材质 Material
1	接头 Connector	不锈钢 CF8. CF8M. CF3. CF3M Stainless Steel CF8. CF8M. CF3. CF3M
2	阀座 Seat	PTFE、尼龙(Nylon)、对位聚苯(PPL)
3	球体 Ball	不锈钢 304. 304L. 316. 316L Stainless Steel 304. 304L. 316. 316L
4	垫片 Gasket	PTFE
5	阀体 Body	不锈钢 CF8. CF8M. CF3. CF3M Stainless Steel CF8. CF8M. CF3. CF3M
6	螺栓 Screw	不锈钢 304 Stainless Steel 304
7	阀杆 Stem	不锈钢 304. 304L. 316. 316L Stainless Steel 304. 304L. 316. 316L
8	垫片 Gasket	不锈钢 304. 316L Stainless Steel 304. 316L
9	填料 Packing	PTFE
10	压盖 Gland	不锈钢 304. 316 Stainless Steel 304. 316
11	连接支架 Connecting Yoke	不锈钢 CF8 Stainless Steel CF8
12	连接套 Connecting Set	不锈钢 304 Stainless Steel 304
13	螺栓 Screw	不锈钢 304 Stainless Steel 304
14	气动装置 Pneumatic Device	AT 系列 Series

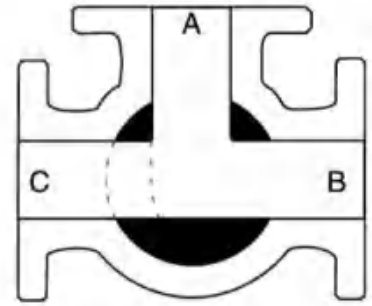
※注：系列球阀结构长度及连接法兰尺寸可根据用户要求设计制造。

Note: The structural length and connecting flange size of ball valve series can be designed and manufactured as per users' requirements.

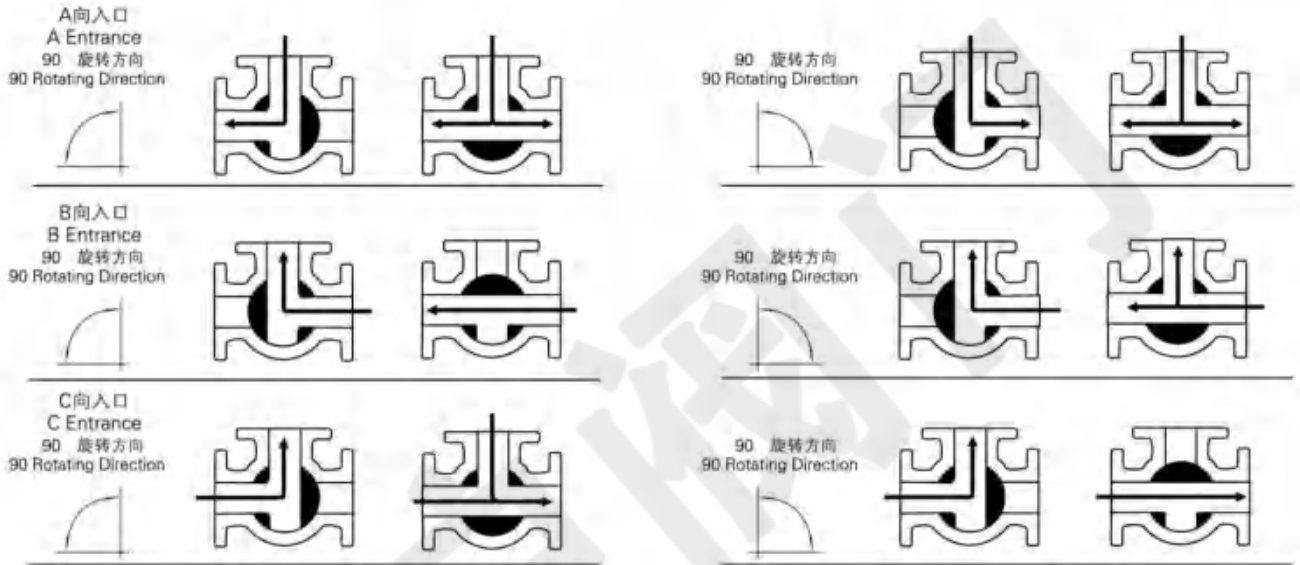
三通球阀介质流向示意图 SKETCH OF MEDIUM FLOW-DIRECTION OF THREE-WAY BALL VALVE

三通球阀用于换向分流或汇合流通，是具有二面或四面阀座的多通口球阀，任一通口可用作入口而无泄漏。三通既可制成 L 型通道也可制成 T 型通道。

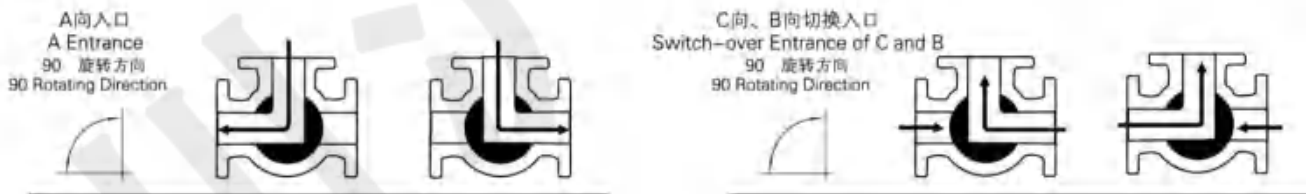
Three-way ball valve is used for diffluence or confluent circulation with two-side or four-side valve base embodying multiple channels. All The channels can be used as entrance, with no leakage. The three-way can be made to L-shaped channel or T-shaped channel

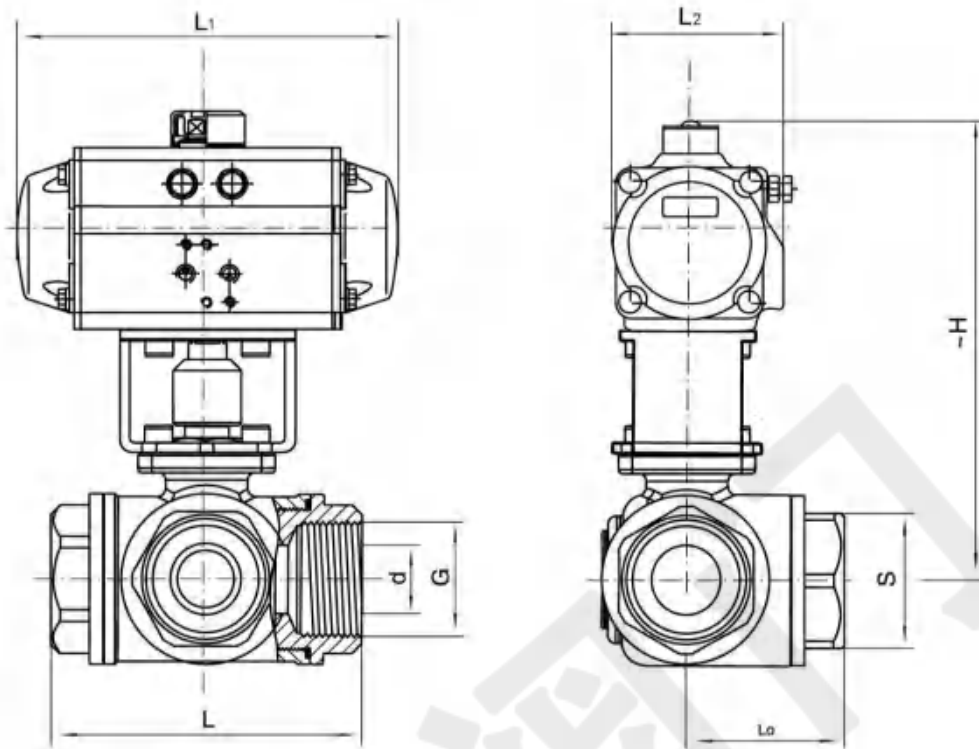


T 型通道 T-SHAPED PASSAGE



L 型通道 L-SHAPED PASSAGE



主要外形及连接法兰尺寸 MAIN OUTLINE AND CONNECTING FLANGE SIZE

PN16 ~ PN64(1.6 ~ 6.4MPa) Dimension

公称通径 Nominal diameter		外形连接尺寸 Connecting Flange Size								执行器型号 Actuator Model
DN	in	D	G	L	Lo	L1	L2	—H	S	
15	1/2	10	1/2"	68	34	141/159	71/83	177/208	26	AT050D/AT063S
20	3/4	15	3/4 "	78	39	141 门 59	71/83	180/211	32	AT050D/AT063S
25	1	20	1 "	86	43	159/211	83/95	199/227	38	AT063D/AT075S
32	1 1/4	25	1 1/4"	111	55.5	211/248	95/107	231/251	49	AT075D/AT088S
40	1 1/2	32	1 1/2"	126	63	248/269	107/123	235/265	56	AT088D/AT100S
50	2	38	2 "	143	71.5	248/269	107/123	263/298	70	AT088D/AT100S

※注：系列球阀结构长度及连接法兰尺寸可根据 JB/T79 标准或用户要求设计制造。

※注：数据 XXX/XXX 分别是气动执行器双作用式 / 单作用式（弹簧复位）。

※注：根据不同阀门扭矩、使用介质适配的执行器型号可能有所不同，相关尺寸随之变化。

※注：以上执行器配置及数据均采用软密封(F、N、P)阀门，硬密封阀门的配置及数据请咨询本公司。

Note: The structural length and connecting flange size of ball valve series can be designed and manufactured as per JB/T79 standard or users' requirements

Note: Data XXX/XXX represent respectively the double-acting/single-acting type (spring reposition) of pneumatic actuator

Note: The relative sizes are subject to change responding to the difference in valve torque, medium and actuator model

Note: the above actuator configuration and data all use soft-sealed valves (F,N,P) and hard-sealed valves, or consulting us if you have more questions.

订货须知 ORDERING INFORMATION

代号 Code	材料 Material	适用温度(°C)Applicable Temperature
F	增强聚四氟乙烯 Reinforced Polytetrafluoroethylene(PTFE)	-40-180
PPL	对位聚苯 Polyparaphenylene	-40-300
N	尼龙 Nylon	-20-80
Y	硬质合金 Hard Alloy	-40-425

根据不同控制和要求可选择下列附件:

切断型附件: 单电控电磁阀、双电控制电磁阀、限位开关回讯器。

调节型附件: 电-气定位器、电气转换器。

气源处理附件: 空气过滤减压阀、气源处理三联件。

手动机构: XLHJ 系列

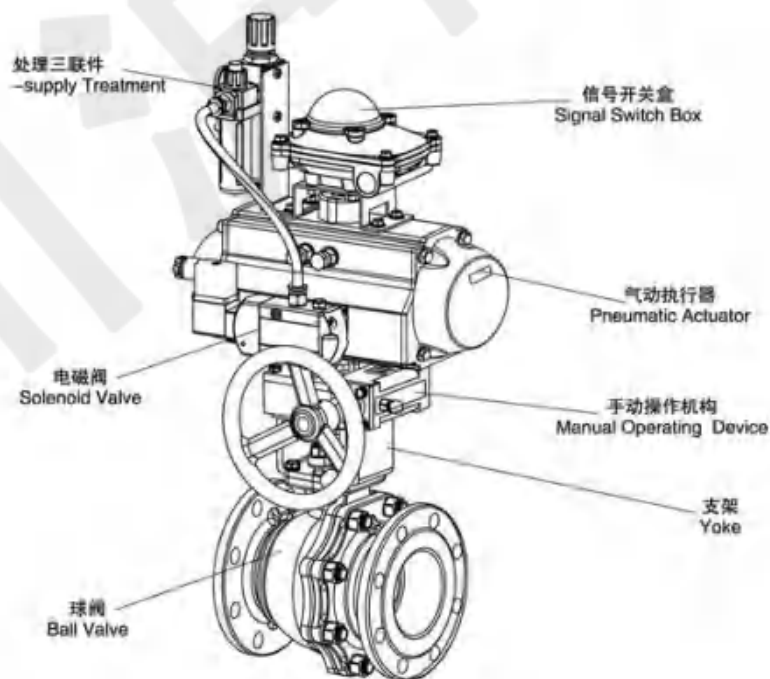
According to the different control and the request can choose the following accessories:

Shut-off Accessories: Single electrically-controlled magnetic valve. Double electrically-controlled Solenoid valve. signal saver of limit switch

Adjusting Accessories: EP/PP-positioner. electric-pneumatic converter.

Air-supply Treatment Accessories: air-filtering reducing valve. F.R.L. COMBINATION UNIT.

Manual Device: XLHJ Series





地址：上海市奉贤区金汇工业园金碧路 358 号
电话：86-021-5186 3046
传真：86-021-5186 3049
邮箱：chvalve@126.com
邮编：210404
网址：<http://www.chuanhuvalve.com>

Add: Shanghai Fengxian District Jinhui Industrial Garden Jinbi Road No. 358
Tel: 86-021-5186 3046
Fax: 86-021-5186 3049
Mail: chvalve@126.com
Code: 210404
Website: <http://www.chuanhuvalve.com>

