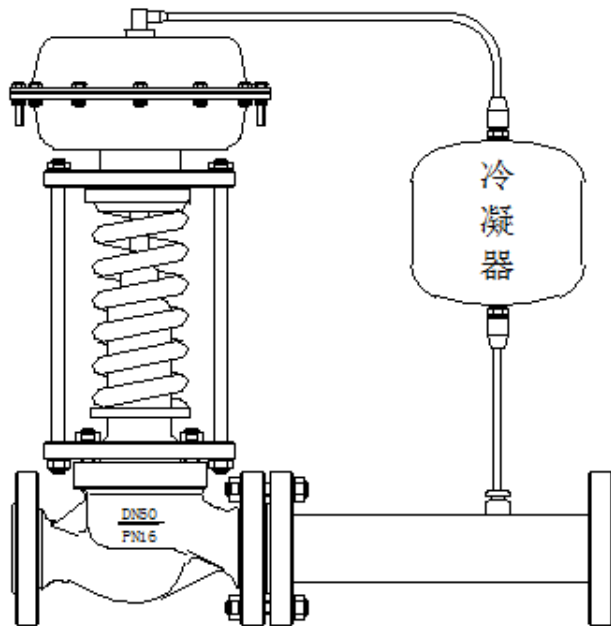


# 自力式压力调节阀

## Self-Operated Pressure control valve



上海川沪阀门有限公司

ShangHai Chuanhu Valve CO.,LTD

## 概要

ZZY 型自力式压力调节阀无需外加能源, 利用被控介质自身作为动力源, 引入执行机构控制阀芯位置来改变流通面积, 从而达到改变流量的目的, 使阀前(或阀后)压力稳定。具有动作灵敏, 密封性好, 压力波动小等优点, 广泛应用各种工业设备中用于气体、液体、及蒸汽介质减压稳压泄压稳压的自动控制。

自力式压力调节阀分为阀后式和阀前式两种。

## GENERAL

Self-operated pressure control valve of ZZY type does not need added energy source which takes self-energy of htel controlled medium as the source of power and uses control valve core of the actuator to change flow area to alter the flow rate and ensure the upstream (or downstream pressure) stay stable. With the advantages of sensitive action, good sealing, small pressure fluctuation and etc. it is widely used in automatically control of the pressure reducing and stabilizing or pressure relief and stabilizing of gas, fluid and vapor mediums of various industrial devices.

This series may divided into two types, Pressure regulators and Pressure relief

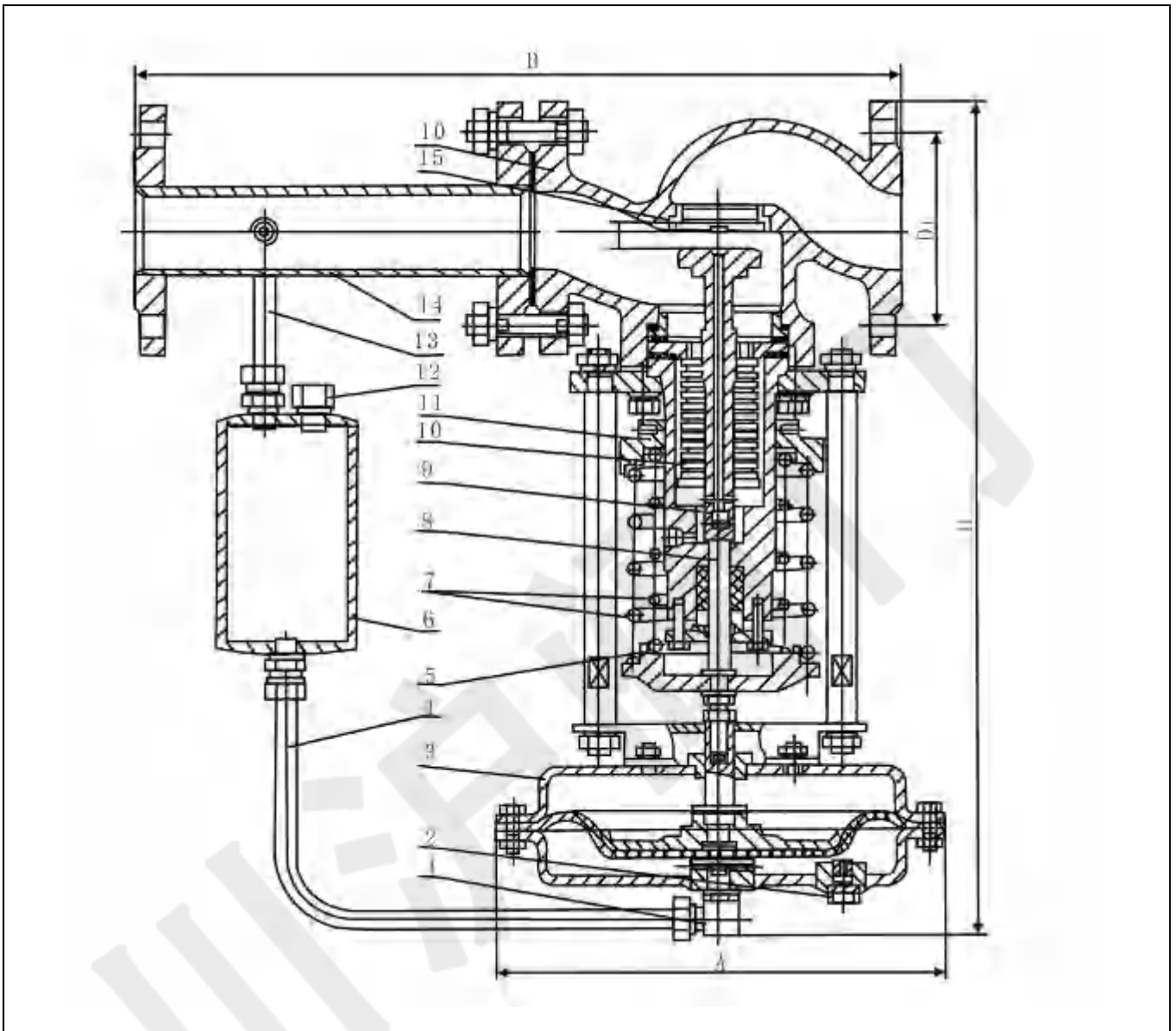
## 标准规格 STANDARD SPECIFICATIONS

### ● 阀体 VALVE BODY

形式 Type	自力式压力调节阀 Self-operated Pressure Control Valve
公称口径 Body size	DN15~DN450 (1/2"-18")
公称压力 Body ratings	PN1.6、4.0、6.4、10.0、15.0、25.0、32.0 ANSI Class 150、300、600、900、1500
连接形式 Body connections	法兰型 (RF) Flanged (RF) 焊接型 (SW、BW) Welding type (SW、BW)
阀体及阀盖材质 Body & Bonnet Material	WCB, CF8, CF8M, CF3, CF3M 等等 WCB, CF8, CF8M, CF3, CF3M etc.
填料 Packing	聚四氟乙烯 V 型填料、柔性石墨 Teflon V-ring, Flexible graphite
上阀盖形式 Bonnet type	标准型 Standard type: -5~+80°C 中温型 (带冷凝器) Middle temperature type (with condenser): ≤350°C 注意: 各种材质的使用温度、压力范围 Note: The allowable operating pressure-temperature limitation for each material
法兰距 Face to face dimension	请参考第 5 页 See Page 5
技术参数和性能指标 Technical parameters and performance indicators	请参考第 4 页 See Page 4
表面涂层色 Painting color	咖啡色 阀体材质为不锈钢时, 本体部不加涂层 Brown is standard, In the case of stainless steel body, no paintings is standard.

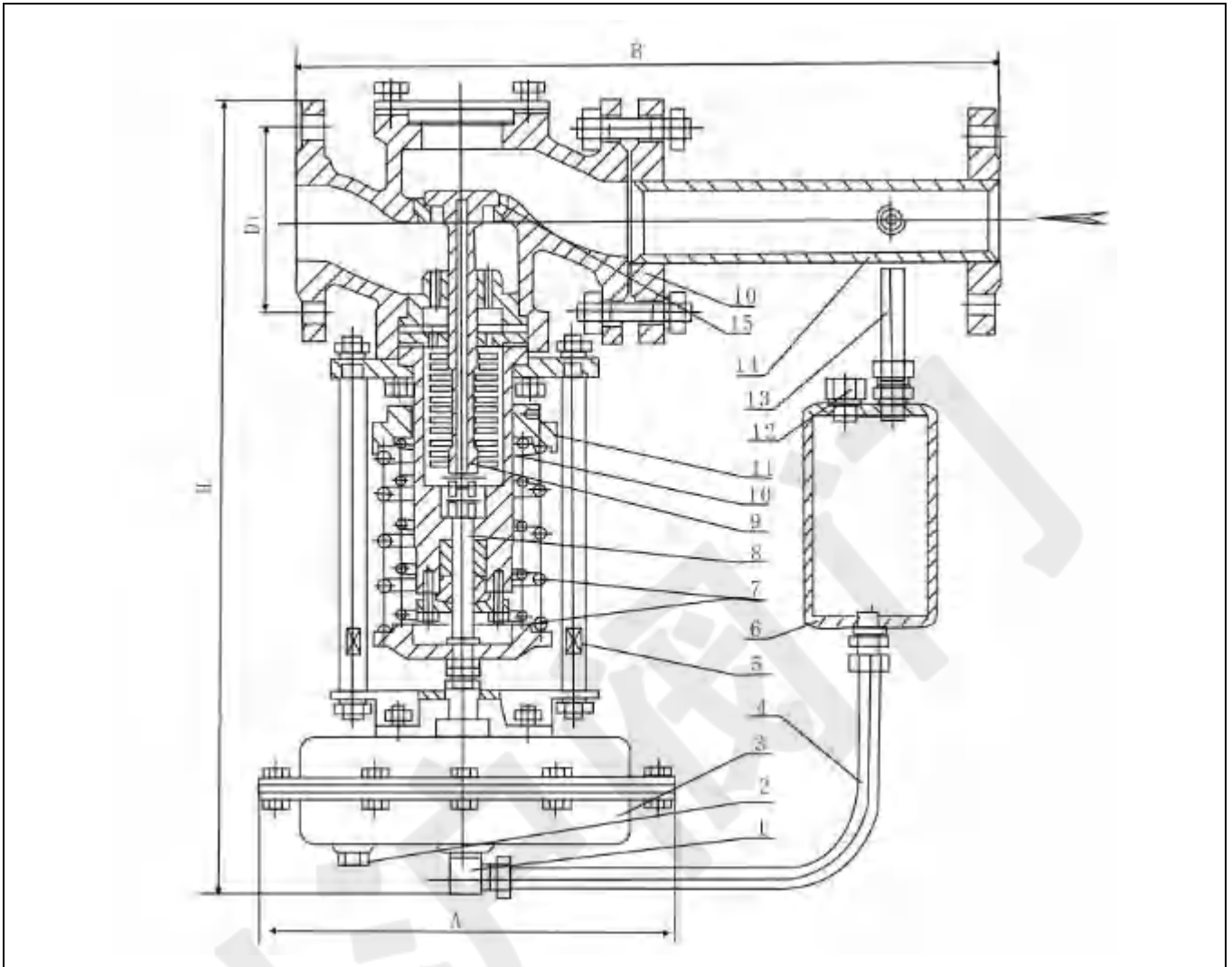
● 阀体构造 BODY SECTION VIEW

阀后式 PRESSURE REGULATORS TYPE



1.进液接头 Liquid inlet joint	2.排气塞 Vent plug	3.检测机构 Detection
4.进液管 Liquid inlet tube	5.压盖螺钉 Cover screw	6.冷凝器 Condenser
7.弹簧 Spring	8.阀杆 Stem	9.阀芯 Plug
10.波纹管 Bellows	11.压力调节盘 Pressure regulating wheel	12.注液口螺钉 Liquid injection screw
13.取压管 Pressure tube	14.阀后接管 After valve pipe	15.阀座 Seat ring
16.阀体 Body		

阀前式 PRESSURE RELIEF TYPE



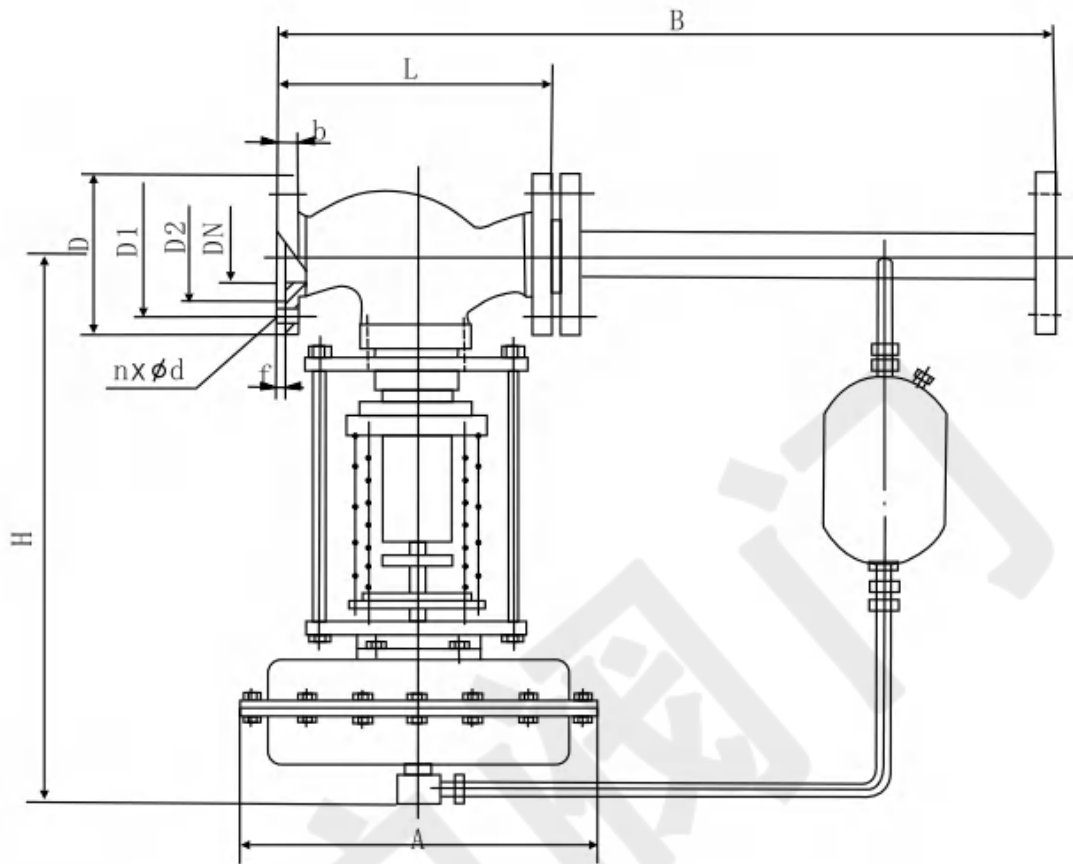
1.进液接头 Liquid inlet joint	2.排气塞 Vent plug	3.检测机构 Detection
4.进液管 Liquid inlet tube	5.压盖螺钉 Cover screw	6.冷凝器 Condenser
7.弹簧 Spring	8.阀杆 Stem	9.阀芯 Plug
10.波纹管 Bellows	11.压力调节盘 Pressure regulating wheel	12.注液口螺钉 Liquid injection screw
13.取压管 Pressure tube	14.阀后接管 After valve pipe	15.阀座 Seat ring
16.阀体 Body		

● 主要技术参数和性能指标

**THE MAIN TECHNICAL PARAMETERS AND PERFORMANCE INDICATORS**

公称通径 Body size	20	25	32	40	50	65	80	100	125	150	200	250	300											
额定流量系数 (KV) Rated KV	7	11	20	30	48	75	120	190	300	480	760	1100	1750											
额定行程 (mm) Rated stroke	8		10		14	20		25	40		50	60	70											
公称压力 (MPa) Body rating	1.6 4.0 6.4																							
压力调节范围 (Mpa) Pressure regulating range	15~50		40~80		60~140		120~220		160~220		200~260		240~300	280~350	330~400	380~450	480~560	540~620	600~700	680~800	780~900	880~1000	950~1500	1000~2500
流量特性 Flow characteristics	快开 Quick open																							
调节精度% Regulating capacities	±5%																							
使用温度 (°C) Operating Temp. °C	≤350°C																							
允许泄漏量 Allowable seat leakage	硬密封 (1/h) Hard seal	单座: ≤10 <sup>-4</sup> 阀额定容量 (IV) 级; 双座、套筒: ≤5×10 <sup>-4</sup> 阀额定容量 (II 级) Single seat: ≤ 10 <sup>-4</sup> valve rated capacity (IV) level; double-seat, sleeve: ≤ 5 × 10 <sup>-4</sup> valve rated capacity (II)																						
	软密封 (1/h) Soft seal	0.15	0.30	0.45	0.60	0.90	1.7	4.0	6.75	11.10	16.0													
减压比 Reduction ratio	最大 Maximum	10																						
	最小 Minimum	1.25																						

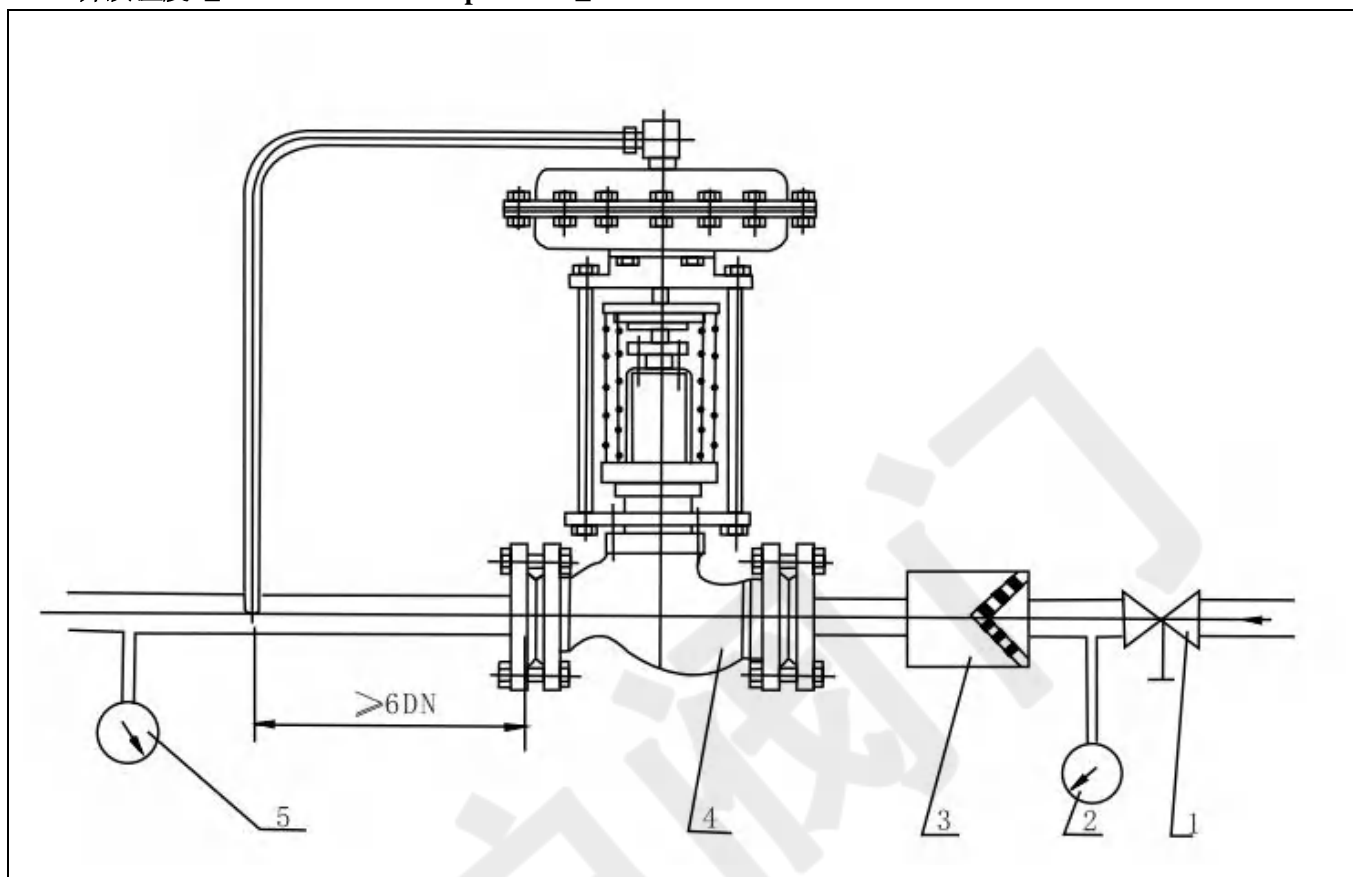
● 外形尺寸 DIMENSIONS



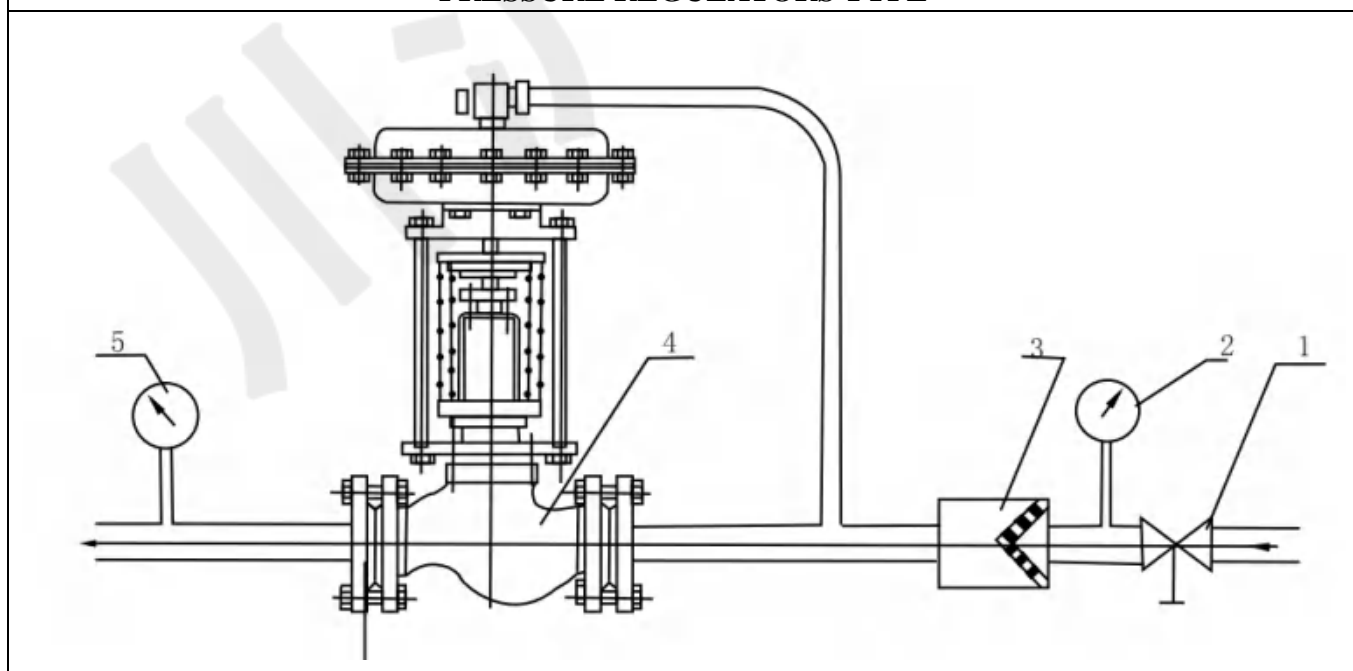
公称通径 Body size	20	25	32	40	50	65	80	100	125	150	200	250	300
接管尺寸(B) Pipe size	383		512		603	862		1023	1380		1800	2000	2200
法兰端间距(L) Face to face dimension	150	160	180	200	230	290	310	350	400	480	600	730	850
压力 调节 范围 (KPa) Pressure regulating range	15-140	H	475	520	540	710	780	840	880	915	940	1000	
		A	280	308									
	200-500	H	455	500	520	690	760	800	870	880	900	950	
		A	230										
	120-300	H	450	490	510	680	750	790	860	870	890	940	
		A	176				194		280				
	480-1000	H	445	480	670	740	780	850	860	880	930		
		A	176				194		280				
	600-1500	H	445	570	600	820	890	950	1000	1100	1200		
		A	85		96								
	1000-2500	H	445	570	600	820	980	950	1000	1100	1200		
		A	85		96								
重量(Kg) Weight	26		37	42	72	90	114	130	144	180	200	250	
导压管接口螺纹 Tubing thread interface	M16X1.5												

● 控制阀安装方位 INSTALLATION POSITION

介质温度  $\leq 80^{\circ}\text{C}$  Medium temperature  $\leq 80^{\circ}\text{C}$

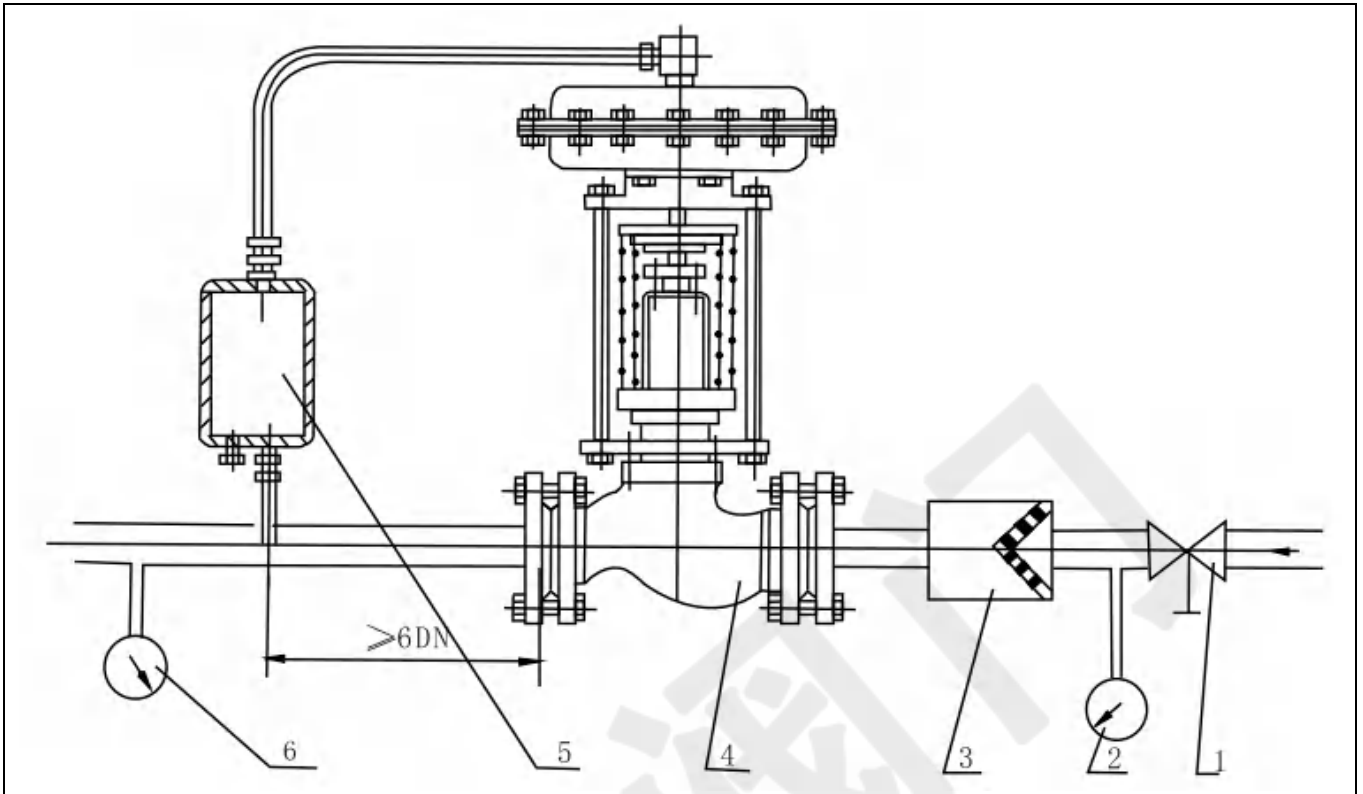


阀后式  
**PRESSURE REGULATORS TYPE**



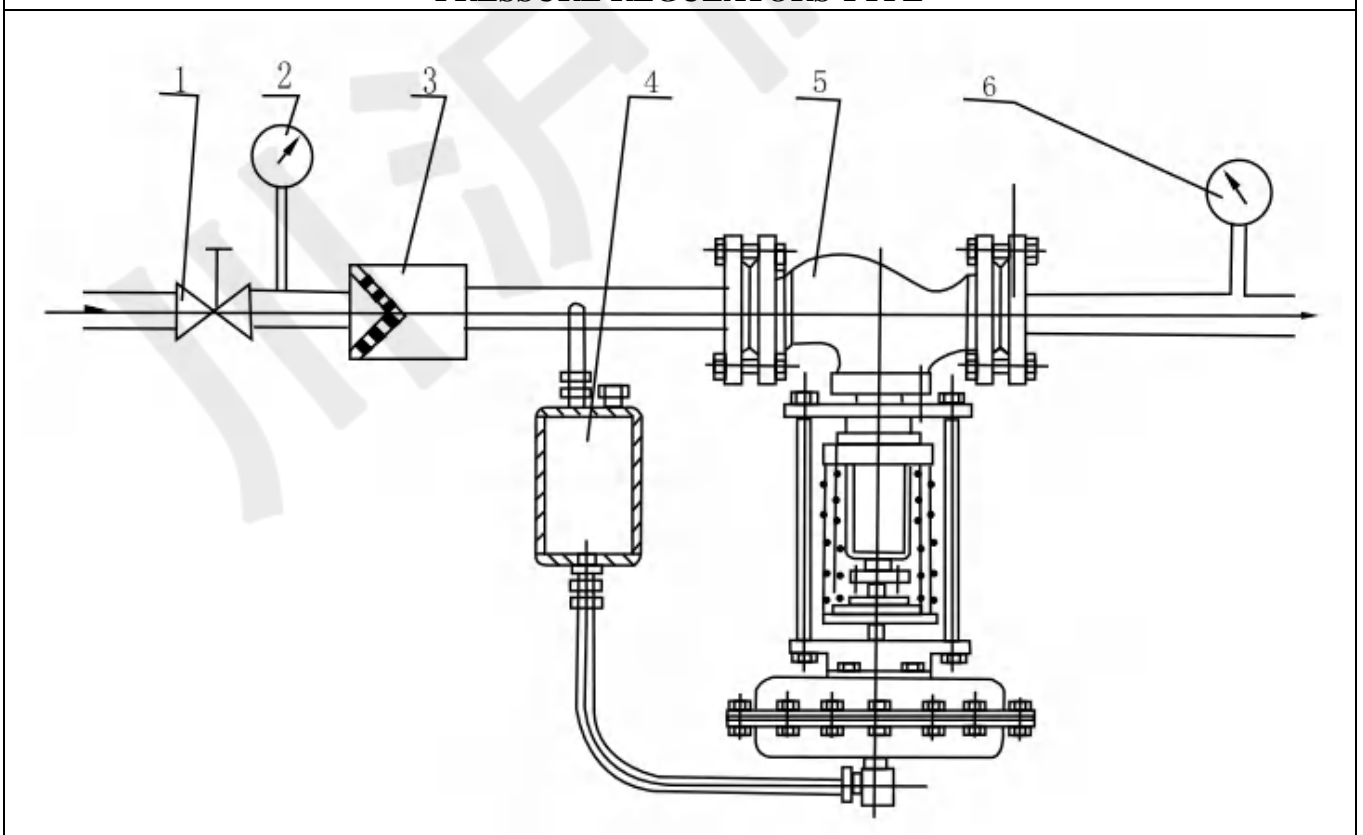
阀前式  
**PRESSURE RELIEF TYPE**

介质温度  $\geq 80^{\circ}\text{C}$  Medium temperature  $\geq 80^{\circ}\text{C}$



阀后式

**PRESSURE REGULATORS TYPE**



阀前式

**PRESSURE RELIEF TYPE**



● 订货须知 **ORDERING INFORMATION**

1. 公称通径 Body Size
2. 公称压力 Body Ratings
3. 连接方式 Connections
4. 执行机构 Actuator
5. 作用方式 Action mode
6. 工艺介质及状态 Process medium and status
7. 阀前压力、阀后压力 Upstream pressure, downstream pressure
8. 最大、正常、最小流量 Maximum, normal and minimum flow
9. 介质密度 Medium density
10. 使用温度 Operation temperature



**上海川沪阀门有限公司**  
SHANGHAI CHUANHU VALVE CO., LTD

---

地址：上海市奉贤区金汇工业园金碧路 358 号  
电话：86-021-5186 3046  
传真：86-021-5186 3049  
邮箱：chvalve@126.com  
邮编：210404  
网址：<http://www.chuanhuvalve.com>

Add: Shanghai Fengxian District Jinhui Industrial Garden Jinbi Road No. 358  
Tel: 86-021-5186 3046  
Fax: 86-021-5186 3049  
Mail: chvalve@126.com  
Code: 210404  
Website: <http://www.chuanhuvalve.com>

